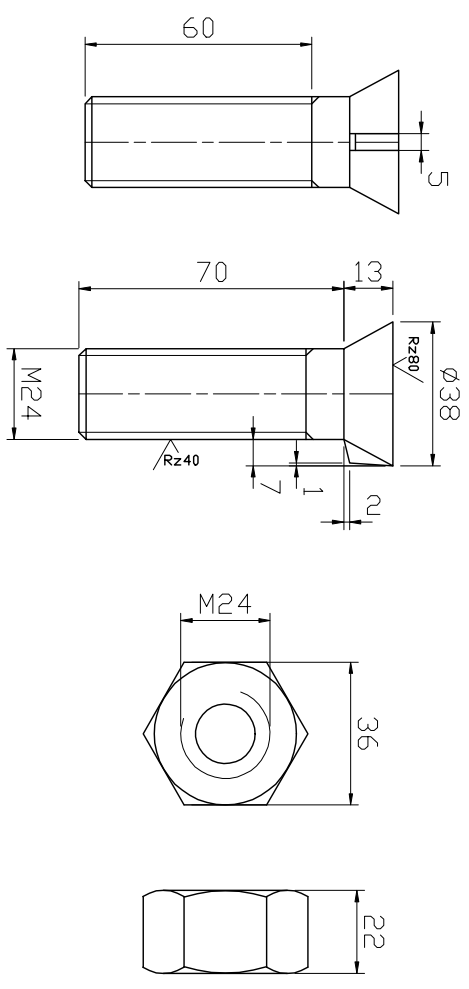


Outer outlet segment  
Material GX40CFNIS127-4



Bolt + Nut M24  
Material SUS304

**THĂNG LONG CEMENT JSC.**

<p><b>Design</b></p>		<p><b>Outer outlet segment</b></p>	
<p><b>App.</b></p>		<p><b>Drawing no.: 081703SE-OUT</b></p>	
<p><b>Scale:</b></p>		<p><b>Rev:</b></p>	