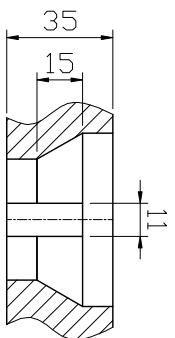
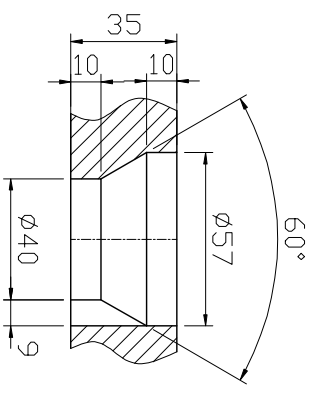


COUNTERSUNK BOLT WITH
Material SUS304

Inner outlet segment
Material GX40CNiSi27-4



THANG LONG CEMENT JSC.

THANG LONG CEMENT JSC.		Inner outlet segment	
Design			
Check			
App.			
Scale:		Drawing no.: 081703SE-IN	
Rev:			