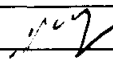
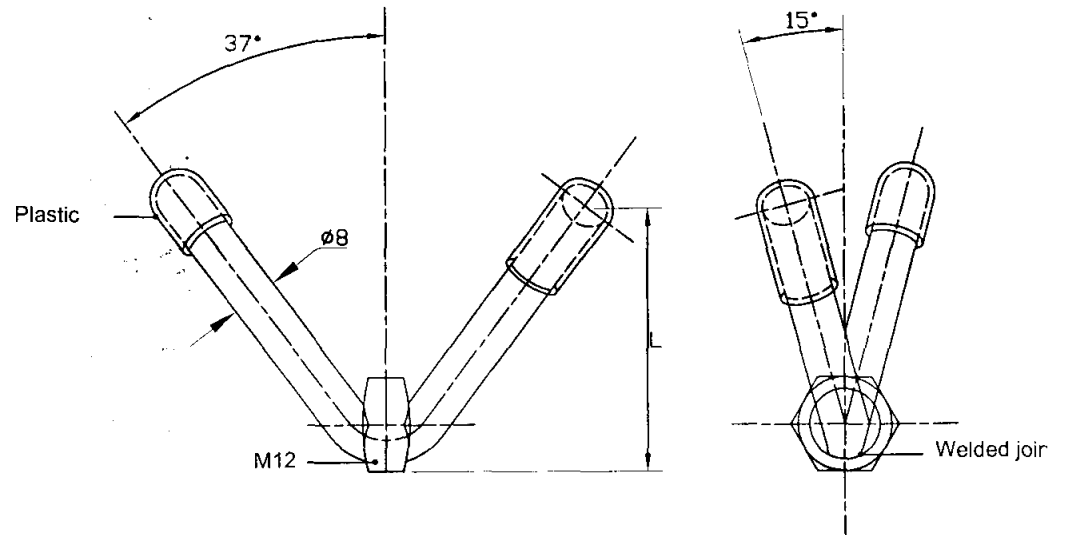
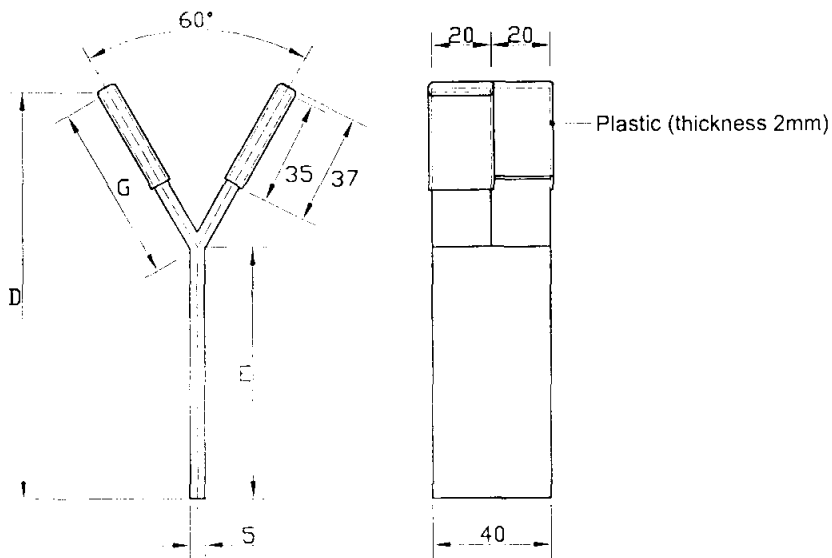


3x220x110	220	110	3
3x188x210	188	210	3
Type	a	b	d
	Size (mm)		

TLCC-SPL	SHIM PLATE	Drawn :	1	Dao Ngoc Binh	
Drawing ID	Shim place No.	Checked :	2	Le The Kim	
		Approved :	3	Benny Ismanto	
SHIM PLATE SUS 201		Created date 12/11/2013			



THANG LONG CEMENT JOINT-STOCK COMPANY



ANCHOR VBP

Y40/30	40	30
Y85/60	85	60
Y165/110	165	110
Y210/140	210	140
Y90/70	90	70
Y75/60	75	60
Y165/110	165	110
Anchor No.	E	G
	Size (mm)	

Type	L
VBP/45	45
VBP/55	55

TLGG-ANC	Anchor	Drawn :	1	Dao Ngoc Binh	
Drawing ID	Anchor No.	Checked :	2	Le The Kim	
		Approved :	3	Benny Ismanto	
Anchor hight resistant thermal (SUS 310)		Created date		12/11/2013	



THANG LONG CEMENT JOINT-STOCK COMPANY